

## Driver and Event

Name Tom Cockerill

Date 9/5/10

Event RHR National

Weather Dry

Result 3rd

## Track Conditions

Grip Level Medium > High

Surface Astro

Track Condition

Temperature Cold

## Electrics

E.S.C Speed Passion GT 2.0

Servo Savox

Receiver KO

Type of Cells Speed Power 5300

Motor Speed Passion V3 6.5

Spur 83

Pinion 22

Internal Ratio 22/33

## Wheels - Tyres - Inserts

Front Wheels RevLite

Front Inserts Schumacher Tubby

Front Tyres MiniSpike

Rear Wheels RevLite

Rear Inserts Schumacher Tubby

Rear Tyres RevLite

## Transmission

Rear Diff Height Low

Front Diff Height Low

Front Layshaft Pulley Fixed

Front Drive Diff

Front Overdrive N/A

## Notes

## Rear Suspension

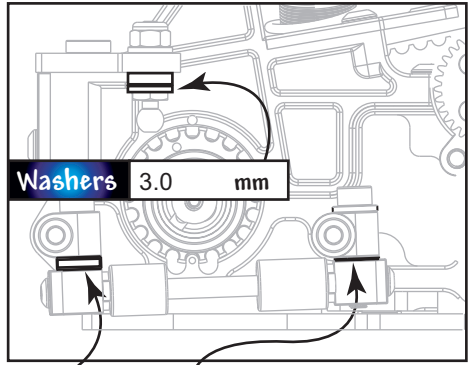
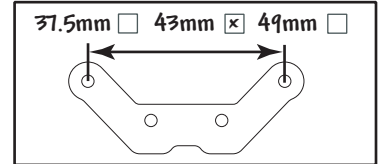
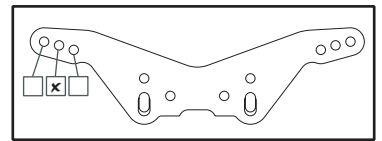
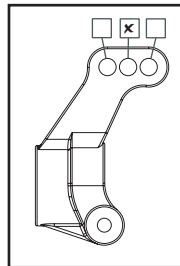
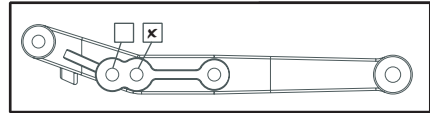
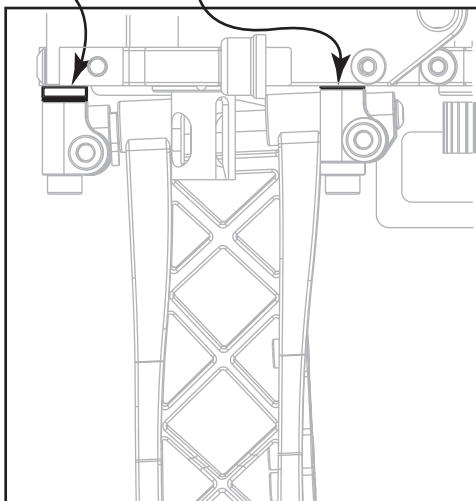
Wheelbase Short  Medium  Long

Roll Bar No  1.2  1.4  1.6

Equal Washers = 0° Toe-in  
 0.50 Difference = 0.65° Toe-in  
 1.00 Difference = 1.30° Toe-in  
 1.50 Difference = 1.95° Toe-in  
 2.00 Difference = 2.60° Toe-in  
 2.50 Difference = 3.25° Toe-in  
 3.00 Difference = 3.90° Toe-in

### Toe-in / Rear Track Washers

Rear 3.0 mm | Front 0.5 mm | Actual 3.25°



Rear 0.5 mm | Front 0 mm | Actual 0.65°

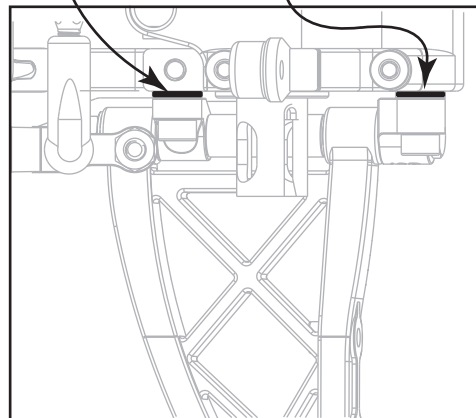
### Anti-Squat Washers

Note: The Anti-Squat Angle is worked out using the Toe-In Chart Above, as the washers produce the same angles.

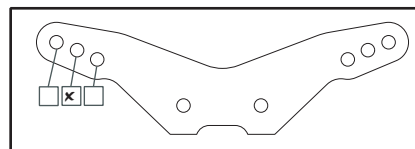
## Front Suspension

### Front Track Washers

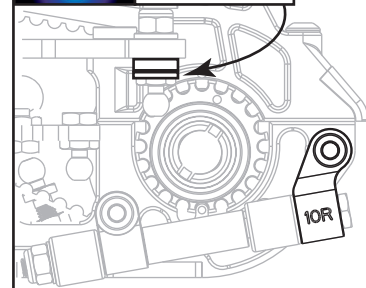
Rear 2.0 mm | Front 2.0 mm



Roll Bar No  1.2  1.4  1.6

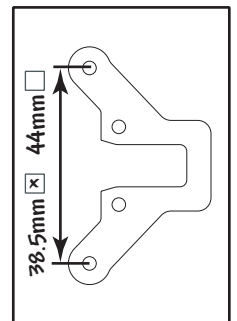
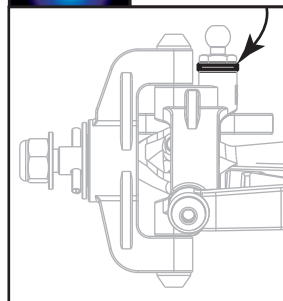


Washers 1.0 mm



Front Rake 10 Deg  7.5 Deg

Washers 0 mm



## Rear Shocks

Oil 27.5 | Piston 2 hole  3 hole

Springs 2.0 - 6 Hole Piston

Diaphragm Spec Std



## Front Shocks

Oil 35 | Piston 2 hole  3 hole

Springs 4.5 - 5 Hole Piston

Diaphragm Spec Std

